

137-3173 ALTO[®] 1.28

MANSFIELD[®]

Elongated Front, SmartHeight[™] Vitreous China, Two-Piece Toilet

FEATURES

- 3-bolt SmartFaster[™] tank-to-bowl connection
- 1.28 gpf / 4.8 lpf high efficiency water consumption
- Uses 20% less water than conventional toilets
- Elongated front SmartHeight[™] bowl
- 3-2" hybrid flapper flush valve
- Fluidmaster[®] anti-siphon pilot fill valve
- 12" rough-in
- Model 31 color-match, plastic trip lever
- 2" glazed trapway
- The Mansfield[®] Limited Lifetime Warranty
- Available in White, Biscuit, and Bone



MODEL 137-3173

Toilet seat not included

Available as CTK



ELONGATED







SMARTHEIGHT ADA



CTK

COMPONENTS

MODEL #	DESCRIPTION	CODES/STANDARDS
137-3173	Elongated front, SmartHeight [™] two-piece toilet.	   
137	Elongated front, SmartHeight [™] toilet bowl only. Less toilet seat. Specify color.	
3173	Tank and cover only with left hand, front-mount, color-match, plastic trip lever. Fluidmaster [®] anti-siphon pilot fill valve. Less supply. Specify color.	

TANK TRIM & REPLACEMENT PARTS

31	Trip lever - color-match, plastic trip lever, left hand
228	3-2" Hybrid flapper flush valve
400A	Fluidmaster [®] anti-siphon pilot fill valve
2206	Anti-siphon pilot fill valve (compatible replacement)
630-0207	3" Replacement flapper kit
160-LID	Tank lid



137-3173 ALTO[®] 1.28



Elongated Front, SmartHeight™ Vitreous China, Two-Piece Toilet

SPECIFICATIONS

MODEL #	DESCRIPTION	CODES/STANDARDS
137-3173	Elongated front, SmartHeight™ (1.28 gpf / 4.8 lpf) two-piece toilet	HIGH EFFICIENCY TOILET UPC WATERSEAL <small>Meets EPA Criteria</small> ADA COMPLIANT

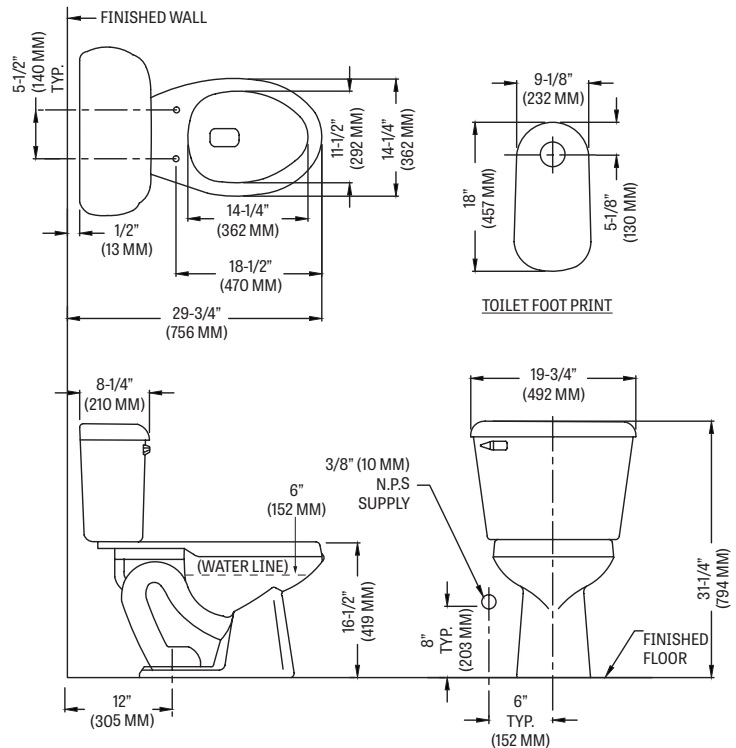
MATERIAL	Vitreous China
WATER PRESSURE RANGE	20 to 80 PSI
FLUSH SYSTEM	3-2" Hybrid flapper flush valve
WATER USAGE	1.28 gpf / 4.8 lpf
WATER SURFACE AREA	9" X 10"
ROUGH-IN	12"
MAP RATING	800 grams

TRAP DIAMETER	2"
TRAP SEAL	2-5/8"
SHIPPING WEIGHT	Model 137 - 56 lbs. (24 kg) Model 3173 - 34 lbs. (15 kg)
WARRANTY	Vitreous China - Limited Lifetime Tank Trim - Limited One Year

TANK OPTIONS	TECHNICAL INFORMATION
--------------	-----------------------

3173	Standard 1.28 gpf configuration: 3-2" hybrid flapper flush valve, Fluidmaster® anti-siphon pilot fill valve, left hand, color-match trip lever.
3173RH	Variation of model 3173, with right hand, color-match trip lever.
3165	Variation of model 3173, with cover lock.
3174	Variation of model 3173, with tank liner.
3120	Variation of model 3173, with left hand, chrome trip lever.
3125	Variation of model 3173, 14" rough-in.

Note: these dimensions are nominal and subject to change without notice.



Fixture performance and specifications meet or exceed ASME A112.19.2/CSA B45.1 standards, and other state and local codes.

